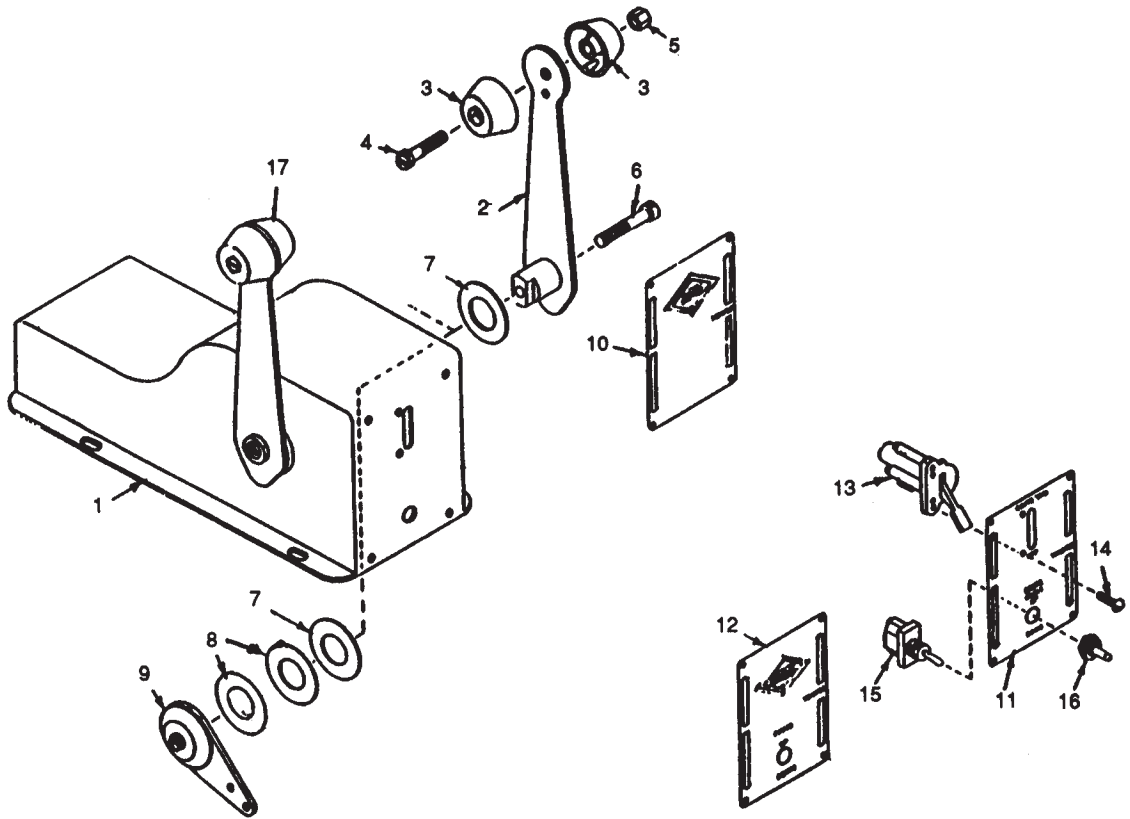


## MTM 153880 4" STROKE REAR CONTROL & COMPONENTS



ITEM	PART NUMBER	DESCRIPTION
	153880	Complete Control
1	153890	Box Weldment
2	153885	Lever Arm Assembly
3	115921AK	Plastic Knob Kit (Green)
4	100710	5/16" - 18 x 1-1/2" UNC Fillister Screw
5	100527	5/16" - 18 UNC Locknut
6	100661	5/16" - 18x 2" UNC Socket Head Screw
7	153883	Lever Shim
8	153895	Belleville Washer
9	153888	Drum Control Lever Plate
9	153889	Throttle Control Lever Plate
10	215077	Control Box Placard
11	215079	Placard (Air C/Lock & Elec. C/L)
12	215073	Placard for Electric Chute Lift
13	85649	Chute Lock Valve
14	100630	#10-24 x 3/4" UNC Round Head Machine Screw
15	85693	Toggle Switch
16	110194	Switch Boot
17	115920AK	Plastic Knob (Red)