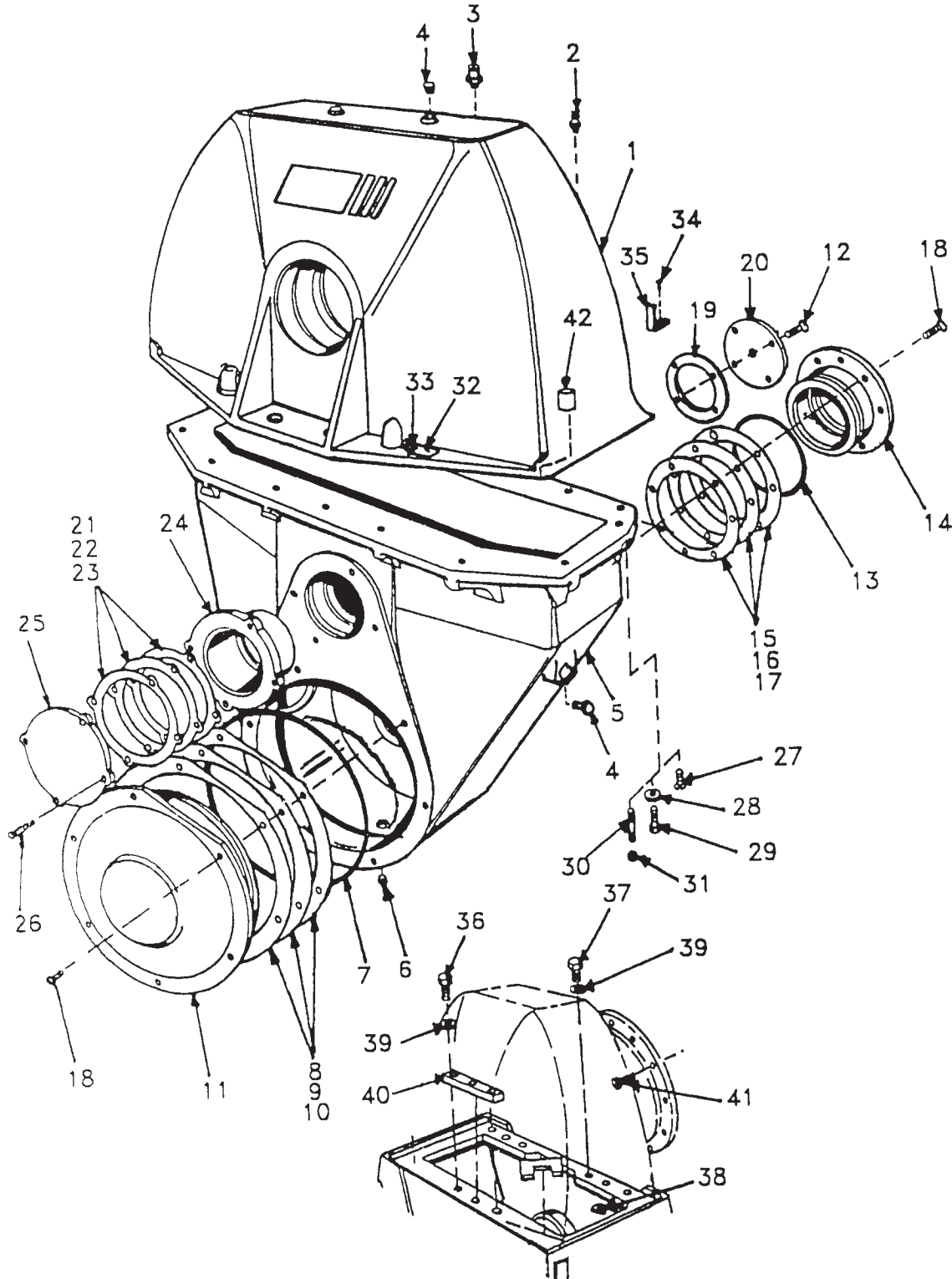


GEARBOXES - REX MODEL 770

Gear Cases, Covers, Gaskets and Mounting



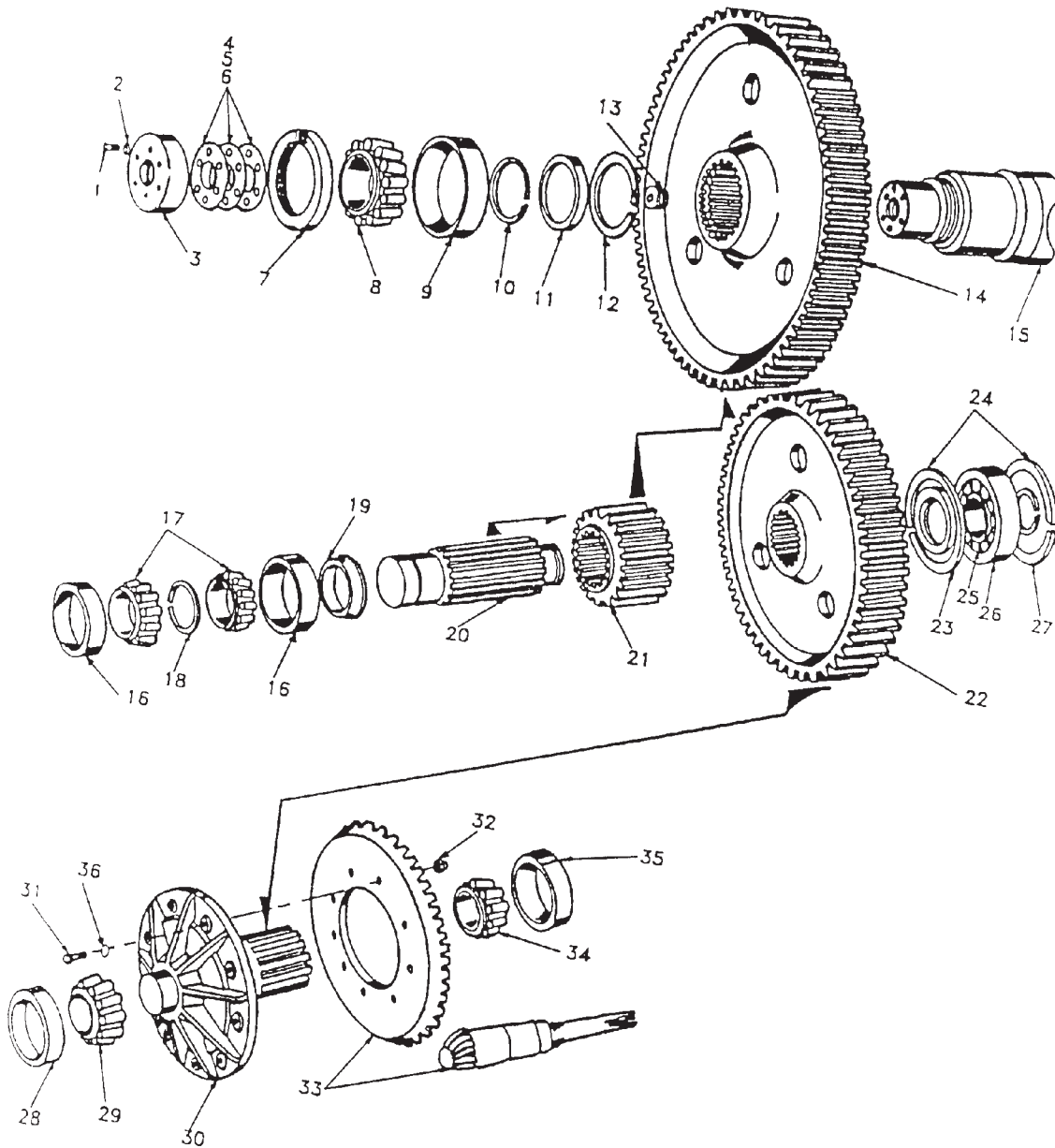
GEARBOXES - REX MODEL 770

Gear Cases, Covers, Gaskets and Mounting

ITEM	PART #	DESCRIPTION	KIT	QTY	ITEM	PART #	DESCRIPTION	KIT	QTY
	602-10332-02EX	GEARBOX - REBUILT			38	298-02067-71	Flanged Cap Screw		3
*	602-10332-02GK	Seal and Gasket Kit		1	39	298-00042-97	Washer		10
**	602-10332-02SK	Shim Kit		1	40	102-09673-01	Block		1
1	402-02627-02	Gear Case-Upper Half		1	41	298-00131-93	Hex Head Cap Screw		12
2	398-08000-07	Grease Fitting		1	42	102-09078-01	Dowel Pin		3
3	298-13005-86	Breather Plug		1					
4	398-14010-42	Plug		3					
5	402-02628-03	Gear Case-Lower Half		1					
6	298-13002-86	Plug		2					
7	298-03545-68	"O" Ring	*	1					
8	102-31041-05	Shim, 0.005"	**	3					
9	102-31041-07	Shim, 0.007"	**	3					
10	102-31041-20	Shim, 0.020"	**	1					
11	402-01806-02	Bearing Carrier		1					
12	298-00151-93	Socket Head Cap Screw		4					
13	X7647	"O" Ring	*	1					
14	402-01739-02	Bearing Carrier		1					
15	102-30077-05	Shim, 0.005"	**	3					
16	102-30077-07	Shim, 0.007"	**	3					
17	102-30077-20	Shim, 0.020"	**	1					
18	298-00068-93	Flat Head Cap Screw		14					
19	102-09300-01	Gasket	*	1					
20	102-09299-01	Cover		1					
21	102-30226-05	Shim, 0.005"	**	3					
22	102-30226-07	Shim, 0.007"	**	3					
23	102-30226-20	Shim, 0.020"	**	1					
24	402-00693-02	Bearing Carrier		1					
25	402-00692-02	End Cover		1					
26	298-00108-93	Hex Head Cap Screw		4					
27	298-00072-93	Flat Head Cap Screw		2					
28	102-10955-01	Washer		8					
29	298-00138-93	Hex Head Cap Screw		6					
30	102-10954-01	Stud		2					
31	298-02014-71	Lock Nut		2					
32	102-09464-01	Plate		1					
33	398-10000-89	Drive Screw		2					
34	398-10000-94	Drive Screw		1					
35	102-10301-01	Oil Deflector		1					
36	298-00133-93	Hex Head Cap Screw		3					
37	298-00091-93	Hex Head Cap Screw		4					

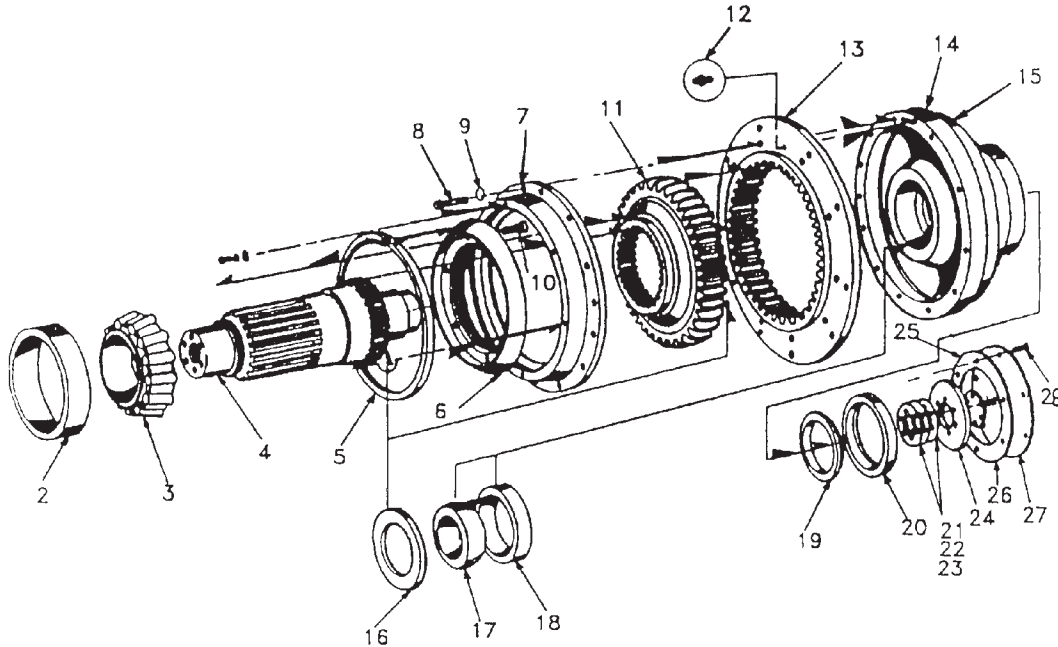
GEARBOXES - REX MODEL 770

Internal Gears, Shafts, Bearings and Seals



GEARBOXES - REX MODEL 770

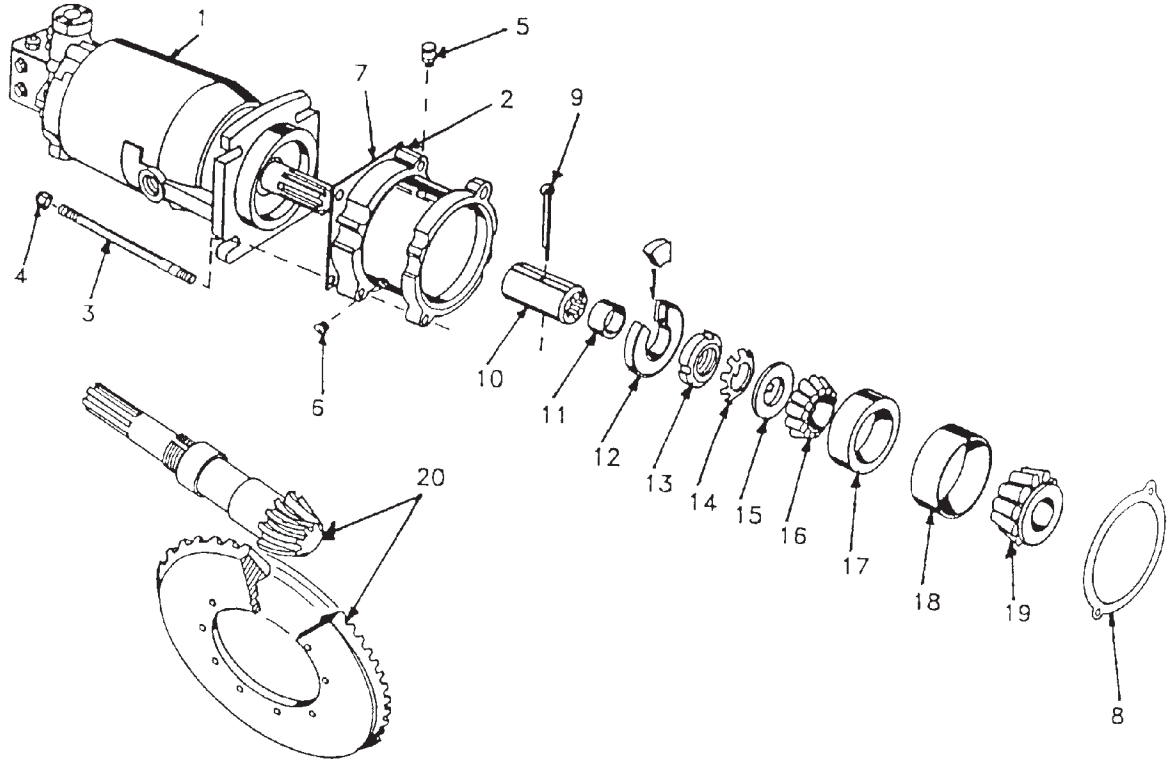
Internal Gears, Shafts, Bearings and Seals



ITEM	PART #	DESCRIPTION	KIT	QTY	ITEM	PART #	DESCRIPTION	KIT	QTY
1	298-03104-68	Oil Seal	*	1	15	398-17000-05	Socket Head Set Screw		1
2	298-00299-02	Cup Bearing	**	1	16	102-08984-01	Spacer		1
3	298-00300-02	Cone Bearing	**	1	17	298-00298-02	Inner Ring	**	1
4	102-04909-01	Shaft		1	18	298-00297-02	Outer Ring	**	1
5	298-03105-68	Oil Seal	*	1	19	402-00012-02	Spacer		1
6	402-01741-02	Ball-Oil Seal		1	20	102-08987-01	Tapered Spacer		1
7	402-02645-02	Housing-Oil Seal		1	21	102-10629-05	Shim, 0.005"	***	3
8	298-00107-93	Hex Head Cap Screw		12	22	102-10629-07	Shim, 0.007"	***	3
9	398-20000-37	Lock Washer		12	23	102-10629-20	Shim, 0.020"	***	1
10	398-02006-08	Hex Head Cap Screw		6	24	102-10631-01	Lock Plate		1
11	402-01743-02	Coupling Hub		1	25	298-00160-93	Socket Head Cap Screw		6
12	398-99006-80	Grease Fitting		1	26	102-08995-01	Gasket	*	1
13	402-01742-04	Flange-Coupling		1	27	102-08992-01	Cover		1
14	402-02622-02	Hub-Drum Head		1	28	298-00073-93	Flat Head Cap Screw		6

GEARBOXES - REX MODEL 770

Internal Gears, Shafts, Bearings and Seals

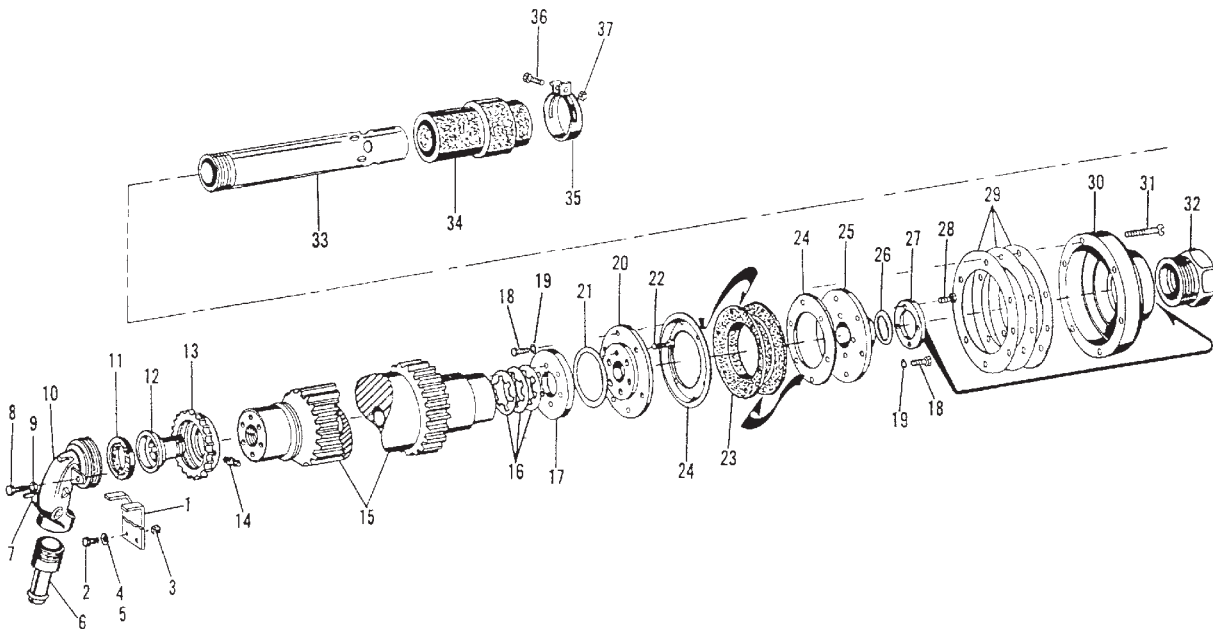


ITEM	PART #	DESCRIPTION	KIT	QTY
1	Reference Only	Hydraulic Motor		1
2	402-01667-02	Flange		1
3	102-10957-01	Stud		4
4	298-02063-71	Flanged Lock Nut		4
5	298-13006-86	Air Vent		1
6	398-14010-31	Plug		2
7	102-01781-01	Gasket	*	1
8	102-08988-01	Gasket	*	1
9	398-03000-19	Cotter Pin		1
10	102-08299-01	Coupling-23 Spline		1
10	102-08529-01	Coupling-23 to 20 Spline		1

ITEM	PART #	DESCRIPTION	KIT	QTY
10	102-10072-01	Coupling-20 Spline		1
11	298-05013-08	Wear Sleeve	*	1
12	298-03103-68	Oil Seal	*	1
13	X6202	Lock Nut		1
14	298-06003-97	Lock Washer		1
15	298-00028-97	Keyed Washer		1
16	298-00310-02	Cone Bearing	**	1
17	298-00309-02	Cup Bearing	**	1
18	298-00307-02	Cup Bearing	**	1
19	298-00308-02	Cone Bearing	**	1
20	502-04709-80	Spiral Bevel Gear		1

GEARBOXES - REX MODEL 770

Front Water Entry Option



GEARBOXES - REX MODEL 770

Front Water Entry Option

ITEM	PART #	DESCRIPTION	KIT	QTY	ITEM	PART #	DESCRIPTION	KIT	QTY
1	102-10100-01	Lock-Water Inlet Elbow		1	32	398-14000-37	Reducing Bushing		1
2	398-02001-79	Hex Head Cap Screw		2	33	502-01999-80	Water Nozzle		1
3	398-11000-19	Hex Nut		2	34	83073	Rubber Sleeve		1
4	398-20000-37	Lock Washer		2	35	X7406	Hose Clamp		1
5	398-20000-23	Washer		2	36	298-00010-93	Hex Head Cap Screw		1
6	298-04001-86	Fitting		1	37	298-00003-71	Hex Nut		1
6	398-14010-47	Reducer Bushing		1					
7	X5853	Drain Cock		1					
8	398-02001-60	Hex Head Cap Screw		1					
9	398-11000-18	Hex Nut		1					
10	402-01528-02	Water Inlet Elbow		1					
11	102-00747-01	Seal		1					
12	402-00695-02	Bushing		1					
13	402-01529-02	Cap		1					
14	398-08000-07	Grease Fitting		2					
15	102-04742-01	Shaft		1					
16	102-09075-05	Shim, 0.005"		3					
16	102-09075-07	Shim, 0.007"		3					
16	102-09075-20	Shim, 0.020"		1					
17	102-08993-01	Lock Plate		1					
18	298-00092-93	Hex Head Cap Screw		12					
19	398-20000-37	Lock Washer		12					
20	102-30517-01	Hub-Torus-Outer		1					
21	102-01594-04	"O" Ring		1					
22	298-00005-93	Socket Head Cap Screw		3					
23	102-09787-01	Gland-Torus		1					
24	102-09788-01	Clamp Ring		2					
25	102-30516-01	Hub-Torus-Inner		1					
26	102-03547-68	"O" Ring		1					
27	102-09789-01	Ring-Retainer		1					
28	398-02076-10	Hex Head Cap Screw		4					
29	102-03299-05	Shim, 0.005"		3					
29	102-03299-07	Shim, 0.075"		3					
29	102-03299-20	Shim, 0.020"		2					
30	402-01770-02	Cover-Drum Hub		1					
31	298-00093-93	Cap Screw		6					