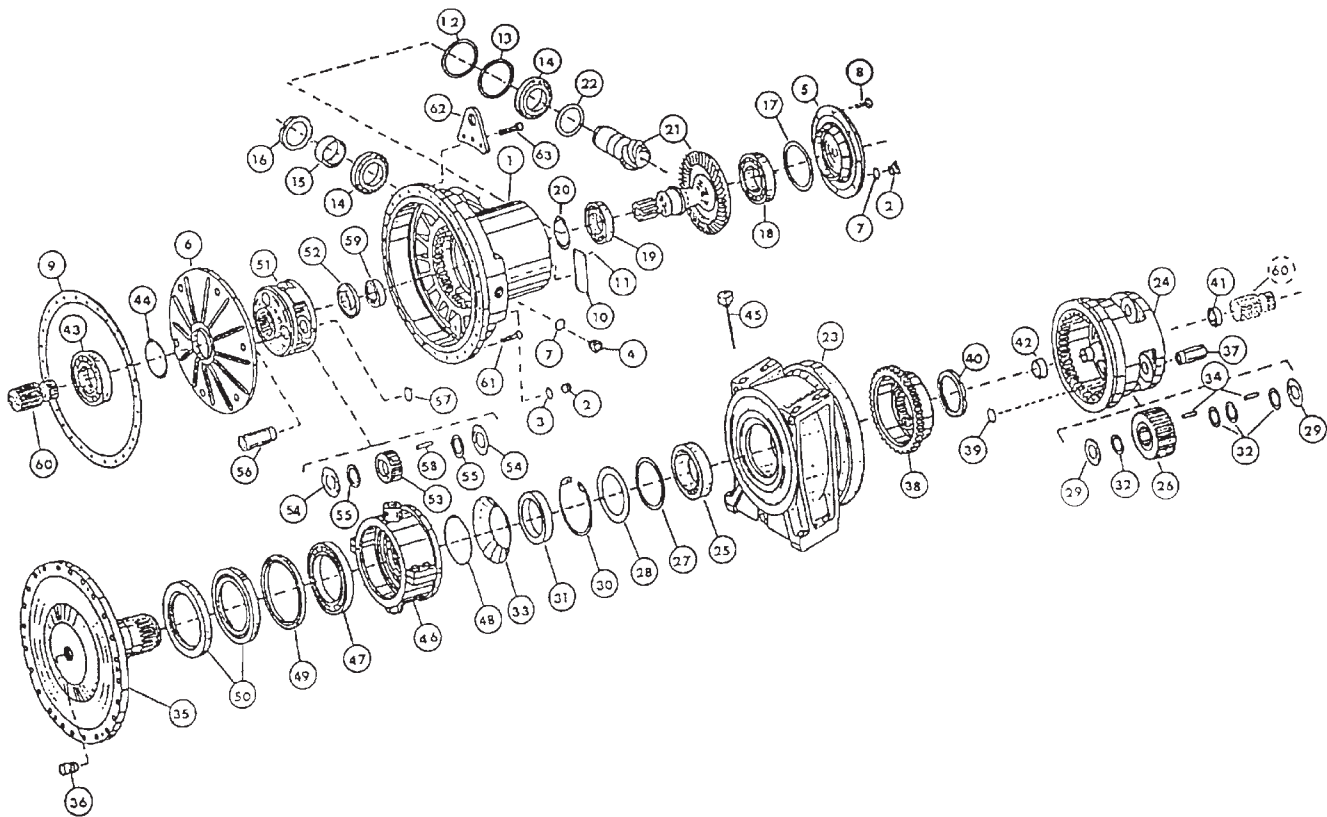


GEARBOXES - ZF MODEL PK-5300



GEARBOXES - ZF MODEL PK-5300

ITEM	PART #	DESCRIPTION	KIT	QTY	ITEM	PART #	DESCRIPTION	KIT	QTY
	PK-5300EX	GEARBOX - REBUILT			27	0730-100-233	Washer, 0.2mm		1
*	PK-5300SK	Seal Kit		1	27	0730-100-584	Washer, 0.3mm		1
**	PK-5300BK	Bearing Kit		1	27	0730-003-018	Washer, 0.5mm		1
1	4108-201-228	Housing		1	27	0730-003-019	Washer, 0.7mm		1
2	0636-302-015	Screw Plug		3	28	0630-004-189	Support Shim		1
3	0634-304-287	"O" Ring	*	2	29	0730-102-684	Thrust Washer		6
4	0632-610-066	Oil Sight Glass		1	30	0630-502-067	Retaining Ring		1
5	4108-303-034	Cover		1	31	4108-306-102	Ring		1
6	4108-301-293	Bearing Cover		1	32	0730-102-816	Intermediate Washer		12
7	0634-801-074	Sealing Ring	*	2	33	0734-307-142	Sealing Collar	*	1
8	0636-015-120	Hex Head Cap Screw		8	34	0750-119-092	Needle Bearing	**	138
9	4108-301-295	Gasket	*	1	35	4108-303-239	Bearing Flange		1
10	0730-365-058	Name Plate		1	36	0631-405-018	Plug		1
11	0631-311-009	Grooved Stud		1	37	4108-306-091	Pin		3
12	0730-002-171	Shim, 3.00mm		1	38	4108-306-101	Clutch Housing		1
12	0730-002-172	Shim, 2.75mm		1	39	0630-501-031	Retaining Ring		3
12	0730-002-173	Shim, 2.50mm		1	40	0737-502-084	Slotted Nut		1
12	0730-002-174	Shim, 2.25mm		1	41	0635-331-269	Ball Bearing	**	1
13	4002-302-021	Shim, 0.50mm		1	42	0635-285-013	Joint Bearing	**	1
13	4002-302-022	Shim, 0.30mm		1	43	0750-116-137	Ball Bearing	**	1
13	4002-302-023	Shim, 0.20mm		1	44	0630-503-018	Snap Ring		1
13	4002-302-032	Shim, 0.10mm		1	45	4108-203-149	Oil Dipstick		1
14	0750-117-057	Roller Bearing	**	2	46	Not Used			
15	4108-303-214	Bushing		1	47	Not Used			
16	0737-502-128	Slotted Nut		1	48	Not Used			
17	0730-000-874	Washer, 1.0mm		1	49	Not Used			
17	0730-002-241	Washer, 0.8mm		1	50	Not Used			
17	0730-002-242	Washer, 0.5mm		1	51	4108-302-005	Planetary Carrier		1
17	0730-002-243	Washer, 0.4mm		1	52	4108-302-007	Bearing Plate		1
17	0730-002-244	Washer, 0.3mm		1	53	4108-308-023	Planetary Gear		3
17	0730-002-245	Washer, 0.2mm		1	54	0730-150-238	Thrust Washer		6
18	0635-332-060	Ball Bearing	**	1	55	0730-102-311	Thrust Washer		6
19	0750-116-105	Ball Bearing	**	1	56	4108-302-004	Pin		3
20	0630-501-038	Retaining Ring		1	57	0630-501-025	Retaining Ring		3
21	4108-202-027	Bevel Gear Set		1	58	0750-119-108	Needle Bearing	**	57
22	4108-303-160	Ring		1	59	0635-332-196	Ball Bearing	**	1
23	4108-201-199	Bearing Housing		1	60	4108-306-147	Sun Gear		1
24	4108-303-219	Planetary Carrier		1	61	0636-101-667	Socket Hd. Cap Screw		27
25	0750-117-012	Roller Bearing	**	1	62	4108-302-063	Lifting Bracket		1
26	4108-306-146	Planetary Gear		3	63	0636-101-729	Socket Hd. Cap Screw		3
					N/S	4108-303-213	Gasket	*	1