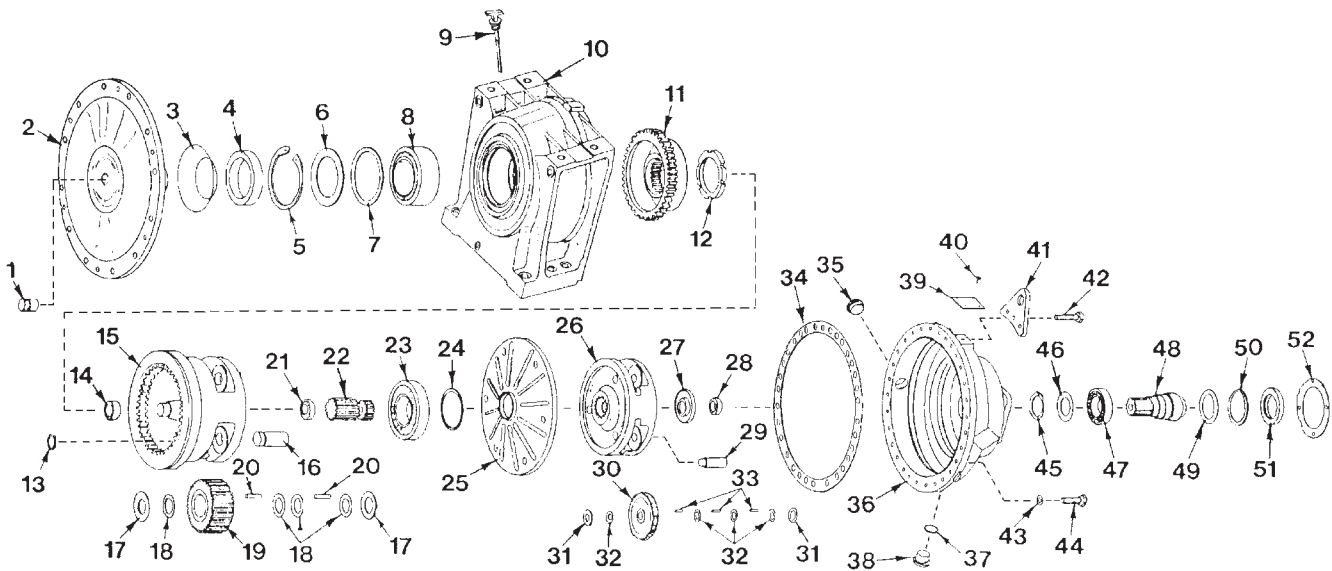


GEARBOXES - ZF MODEL P-6300



GEARBOXES - ZF MODEL P-6300

ITEM	PART #	DESCRIPTION	KIT	QTY	ITEM	PART #	DESCRIPTION	KIT	QTY
	115302EX	GEARBOX - REBUILT			31	0730-102-645	Thrust Washer		3
*	P-6300SK	Seal Kit		1	32	0730-102-644	Intermediate Washer		12
**	P-6300BK	Bearing Kit		1	33	0735-470-120	Needle Bearing	**	198
1	0631-405-018	Plug		1	34	4108-306-172	Gasket	*	1
2	4108-303-292	Bearing Flange		1	35	0632-610-066	Oil Sight Glass		1
3	0734-307-142	Sealing Collar	*	1	36	4108-201-269	Housing		1
4	4108-306-102	Ring		1	37	0634-304-287	"O" Ring	*	1
5	0630-502-067	Retaining Ring		1	38	0636-302-015	Screw Plug		1
6	0630-004-189	Thrust Disk		1	39	0730-365-058	Name Plate		1
7	0730-100-233	Shim, 0.2mm		1	40	0631-311-009	Grooved Pin		4
7	0730-100-584	Shim, 0.3mm		1	41	4108-302-063	Lifting Bracket		1
7	0730-003-018	Shim, 0.5mm		1	42	0636-101-729	Socket Head Cap Screw		3
7	0730-003-019	Shim, 0.7mm		1	43	Not Used			
8	0750-117-012	Roller Bearing	**	1	44	0636-101-667	Socket Head Cap Screw		27
9	4108-203-149	Oil Dipstick		1	45	0630-531-064	Retaining Ring		1
10	4108-203-152	Bearing Housing		1	46	Not Used			
11	4108-306-101	Clutch Housing		1	47	0635-331-223	Ball Bearing	**	1
12	0737-502-084	Slotted Nut		1	48	4108-301-431	Input Shaft-21 Spline		1
13	0630-501-031	Retaining Ring		4	49	Not Used			
14	0635-285-013	Joint Bearing	**	1	50	0630-502-039	Retaining Ring		1
15	4108-303-283	Planetary Carrier		1	51	0634-300-610	Shaft Seal	*	1
16	4108-303-289	Pin		4	52	4108-302-139	Gasket	*	1
17	0730-102-684	Thrust Washer		8					
18	0730-102-816	Intermediate Washer		16					
19	4108-303-285	Planetary Gear		4					
20	0750-119-092	Needle Bearing	**	184					
21	0635-331-269	Ball Bearing	**	1					
22	4108-303-296	Sun Gear		1					
23	0750-116-137	Ball Bearing	**	1					
24	0630-503-018	Snap Ring		1					
25	4108-301-293	Bearing Cover		1					
26	4108-302-147	Planetary Carrier		1					
27	4108-302-007	Bearing Plate		1					
28	0635-332-196	Ball Bearing	**	1					
29	4108-302-062	Bearing Pin		3					
30	4108-302-166	Planetary Gear		3					